

Appendix G: Bus Stop Diagrams



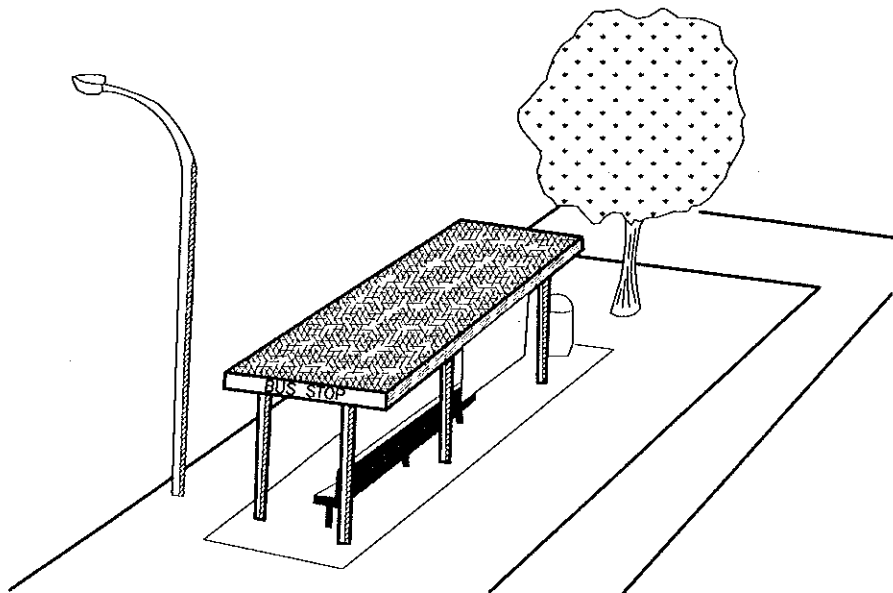


FIGURE 21
EXAMPLE OF COORDINATING BUS STOP LOCATION WITH AN EXISTING STREET LIGHT

SOURCE: TCRP REPORT 19, *GUIDELINES FOR THE LOCATION AND DESIGN OF BUS STOPS*

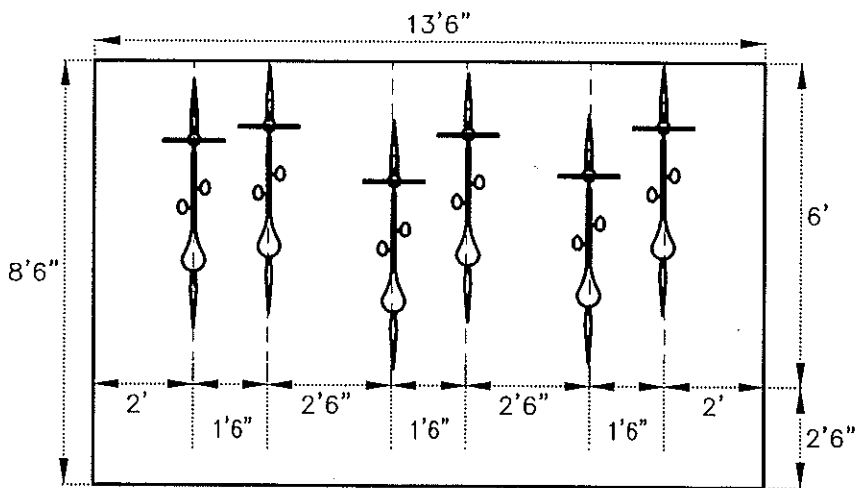
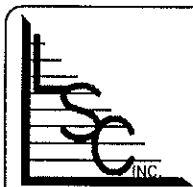


FIGURE 22
RECOMMENDED SPACE FOR PARKING SIX BICYCLES



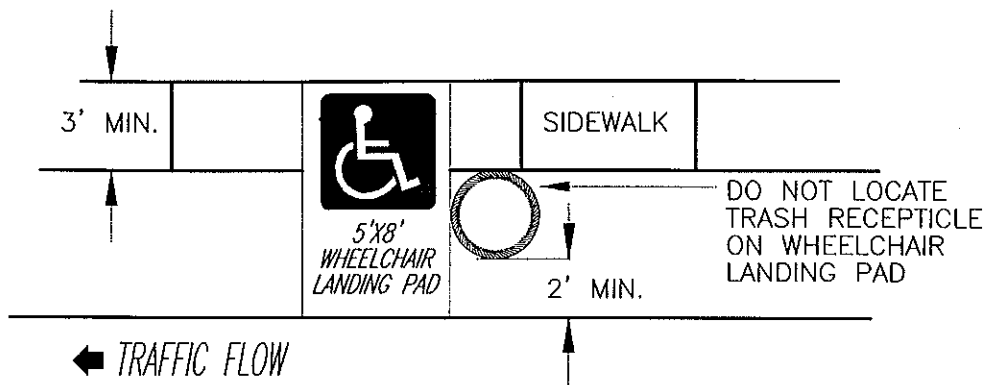
LSC NO.:
 987190-NT2122

FIGURE NO.:
 21 & 22

**BUS STOP COORDINATION WITH STREET LIGHTS &
 RECOMMENDED SPACE FOR BICYCLE PARKING**

NAPA TRANSIT IMPROVEMENT STANDARDS STUDY

WITHOUT SHELTER/WITH OR WITHOUT BENCH



WITH SHELTER

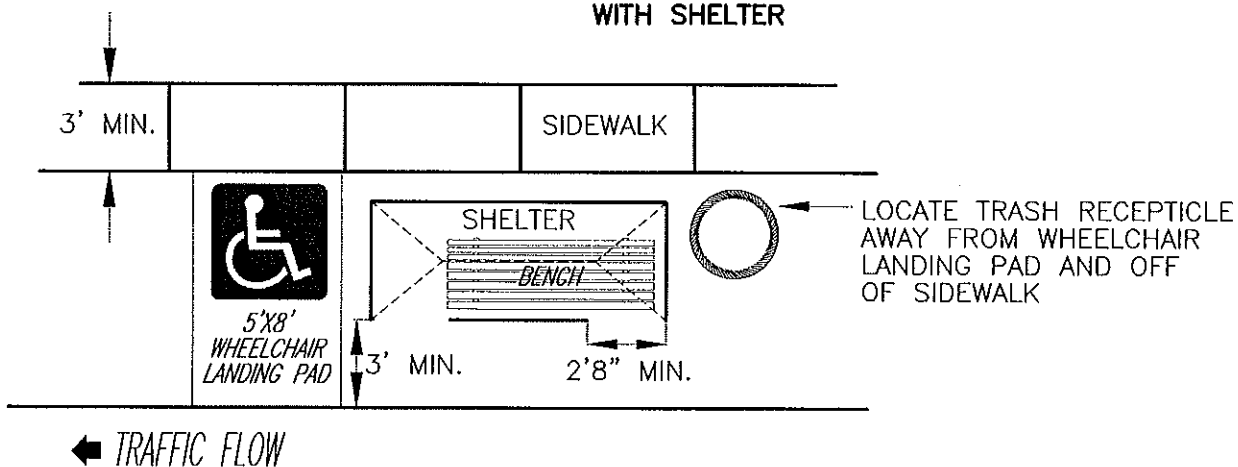
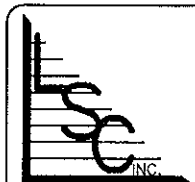


FIGURE 20
RECOMMENDED TRASH RECEPTACLE PLACEMENT

SOURCE: TCRP REPORT 19, *GUIDELINES FOR THE LOCATION AND DESIGN OF BUS STOPS*



LSC NO.:
987190-NTTRASH

FIGURE NO.:
20

RECOMMENDED TRASH
RECEPTACLE PLACEMENT

NAPA TRANSIT IMPROVEMENT STANDARDS STUDY